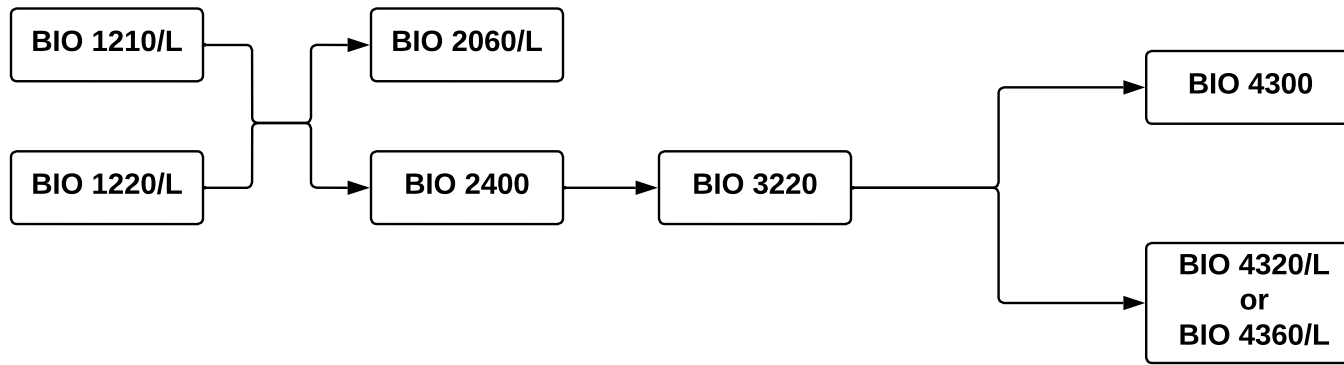
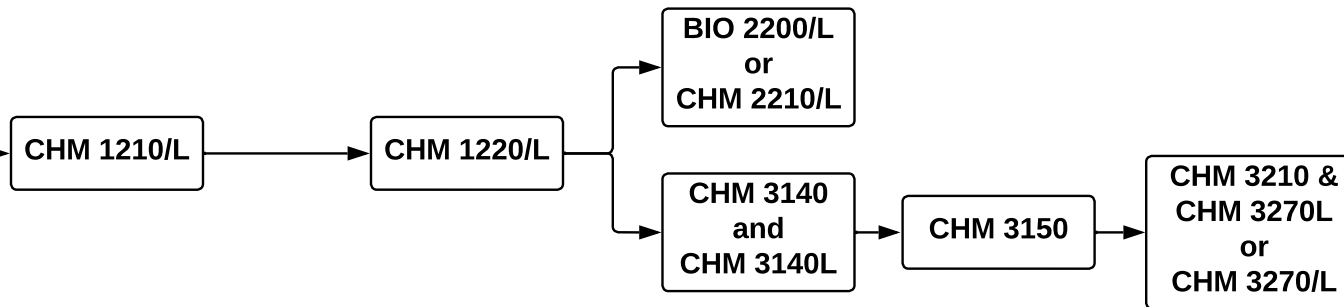


# Biotechnology



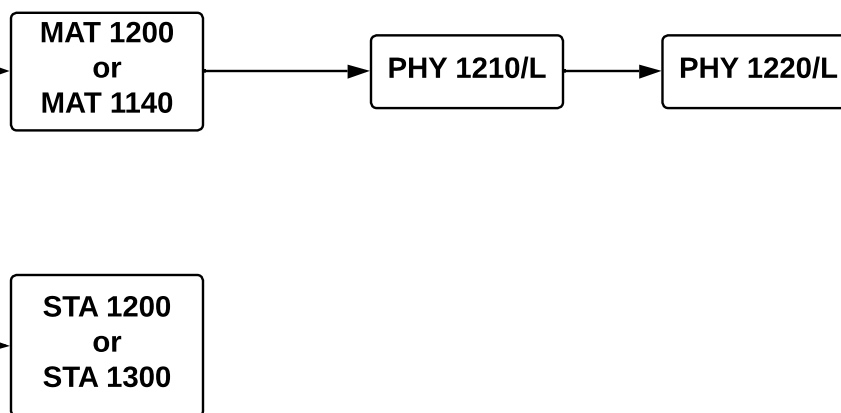
**20-21 Units Major Electives**

Choose any course from the five emphases & up to 3 units combined from the unused BIO 4410/4610, BIO 4000, or BIO 4620.



See available BIO courses for GE Area B5

C or better in MAT 1050 or higher  
 OR  
 minimum score on ALEKS placement test



If you take both BIO 2200/BIO 2200 L and CHM 2210/CHM 2210 L, or if you take both BIO 4320/BIO 4320L and BIO 4360/BIO 4360L, the extra credits could count towards your Major Electives units.

